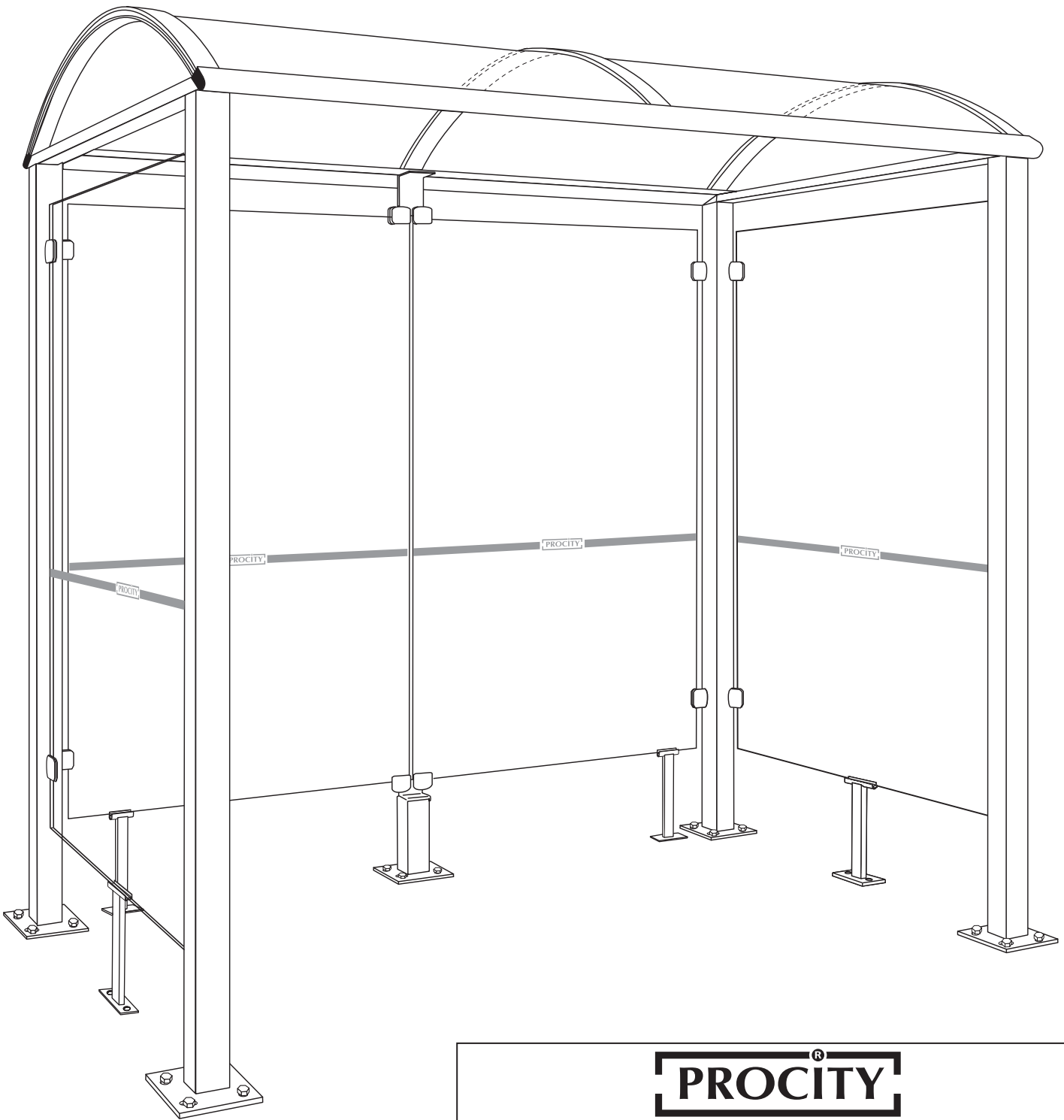


Classic Smoking Shelter - Ref. 529372 - length 2500

80 x 80 mm posts, rear cladding, 2 side cladding



This product has received our best attention

Assembled by :

.....

Packed by :

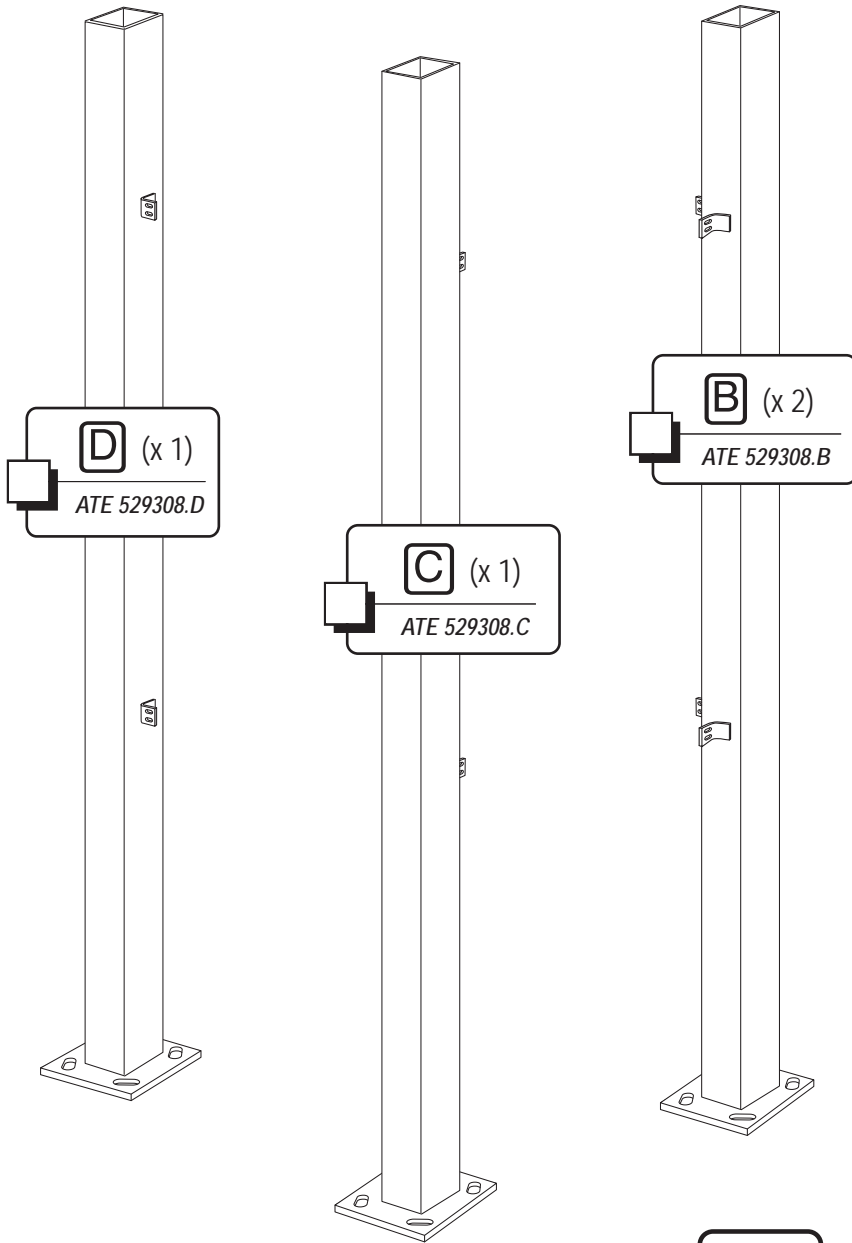
.....

N° OF :

.....

For any further technical information or for any comments, please contact directly our Customer Service at 00.44.1582.488.444 (Thank you to provide the following number).

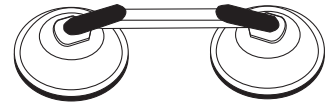
Parts



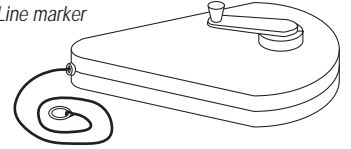
EQUIPMENT REQUIRED

(excluding groundworks)

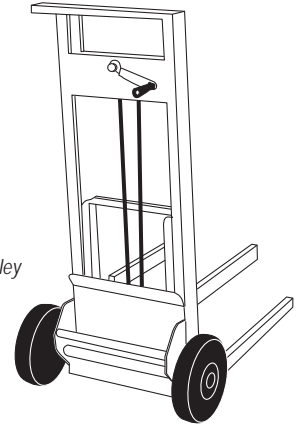
2 Glass suckers



Line marker



Lifting trolley



Spanners

Screw drivers

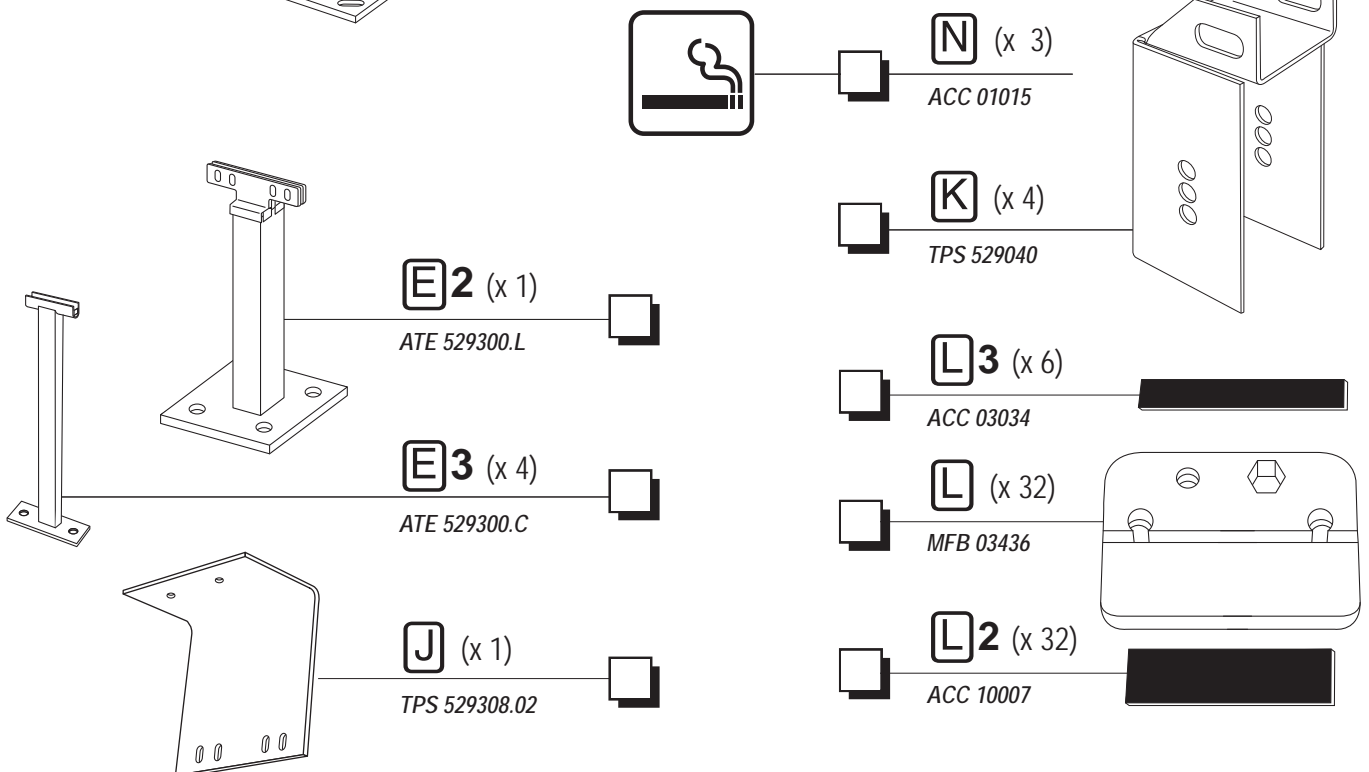
Flat spanners (17-19-13)

Tape measure

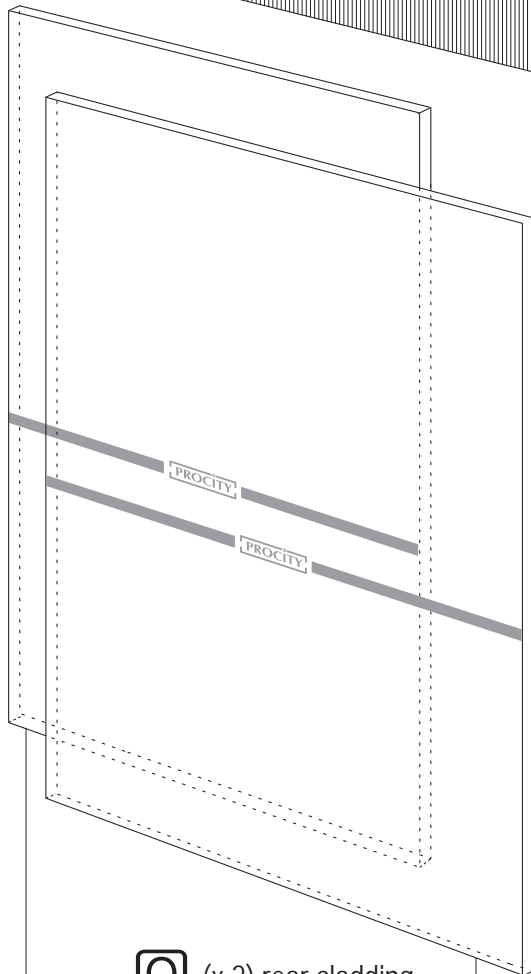
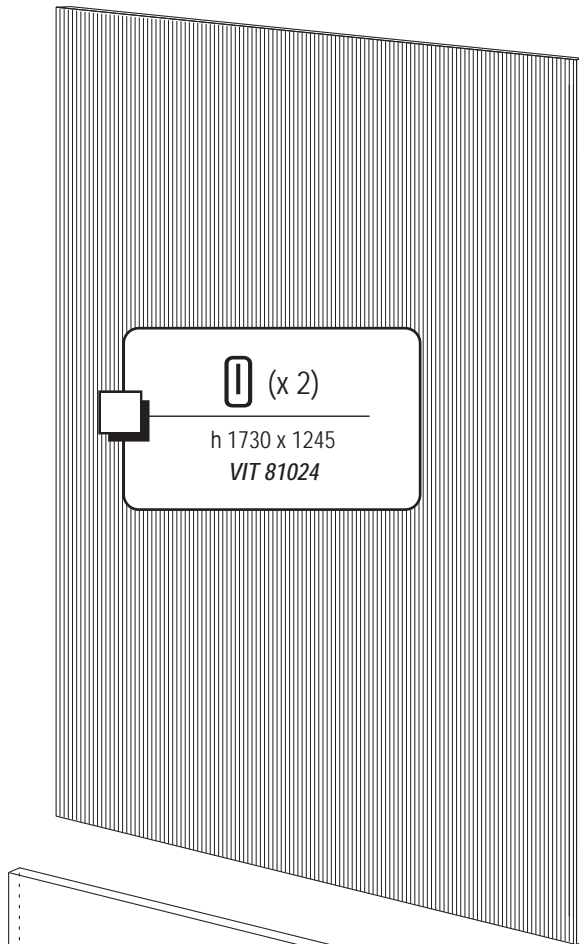
Hammer/Mallet

Spirit level

Drill & 20 mm bit

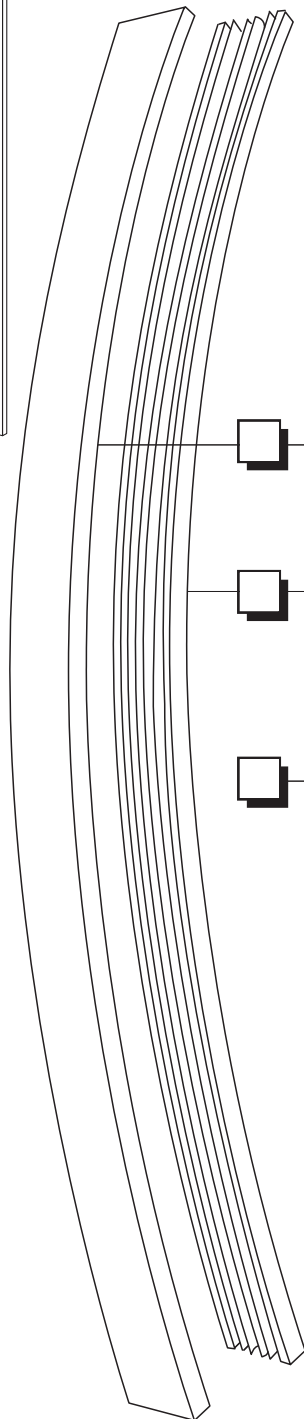


Parts (2)



O (x 2) rear cladding
h 1860 x 1135 VIT 81123

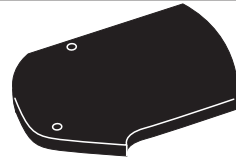
P (x 2) side cladding
h 1860 x 1316 VIT 81125



F1 (x 3)
upper roof support
ATE 529300.E

F2 (x 3)
lower roof support
ATE 529300.D

H (x 2)
ATE 529300.F



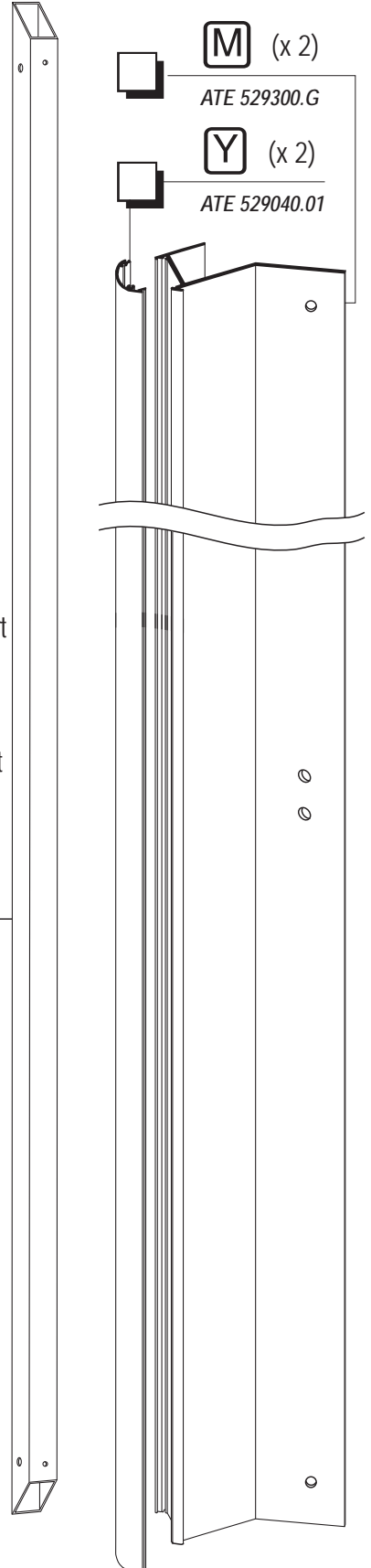
Y1 (x 4)
ATE 529210



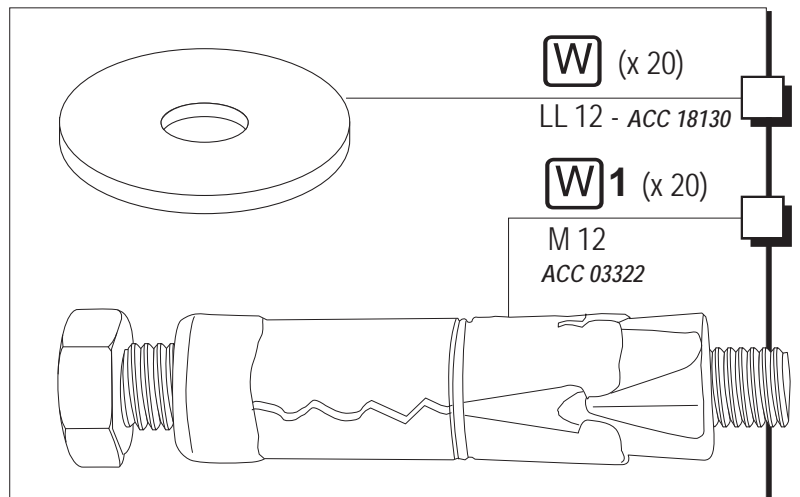
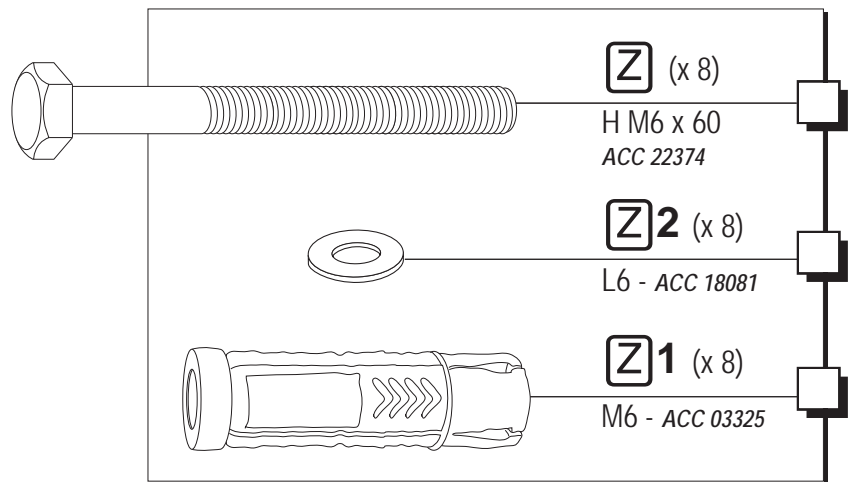
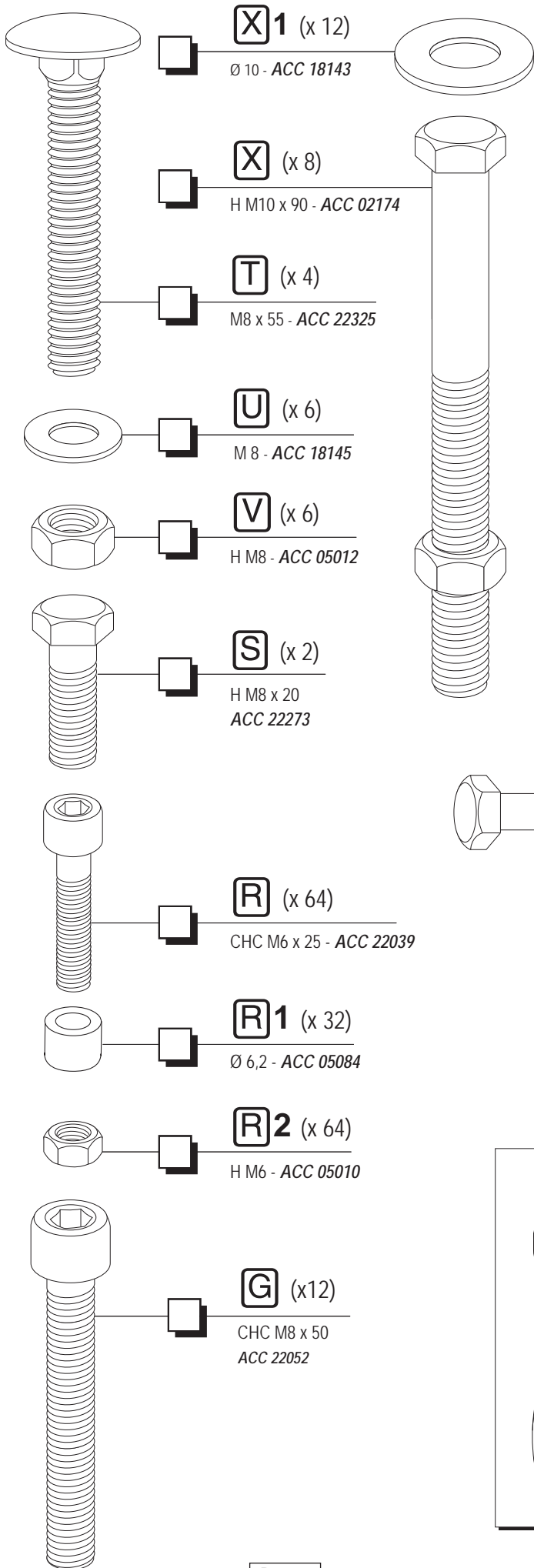
Y2 (x 8)
CBLZ 3,5 x 16
ACC 22055

M (x 2)
ATE 529300.G

Y (x 2)
ATE 529040.01



Parts (3)



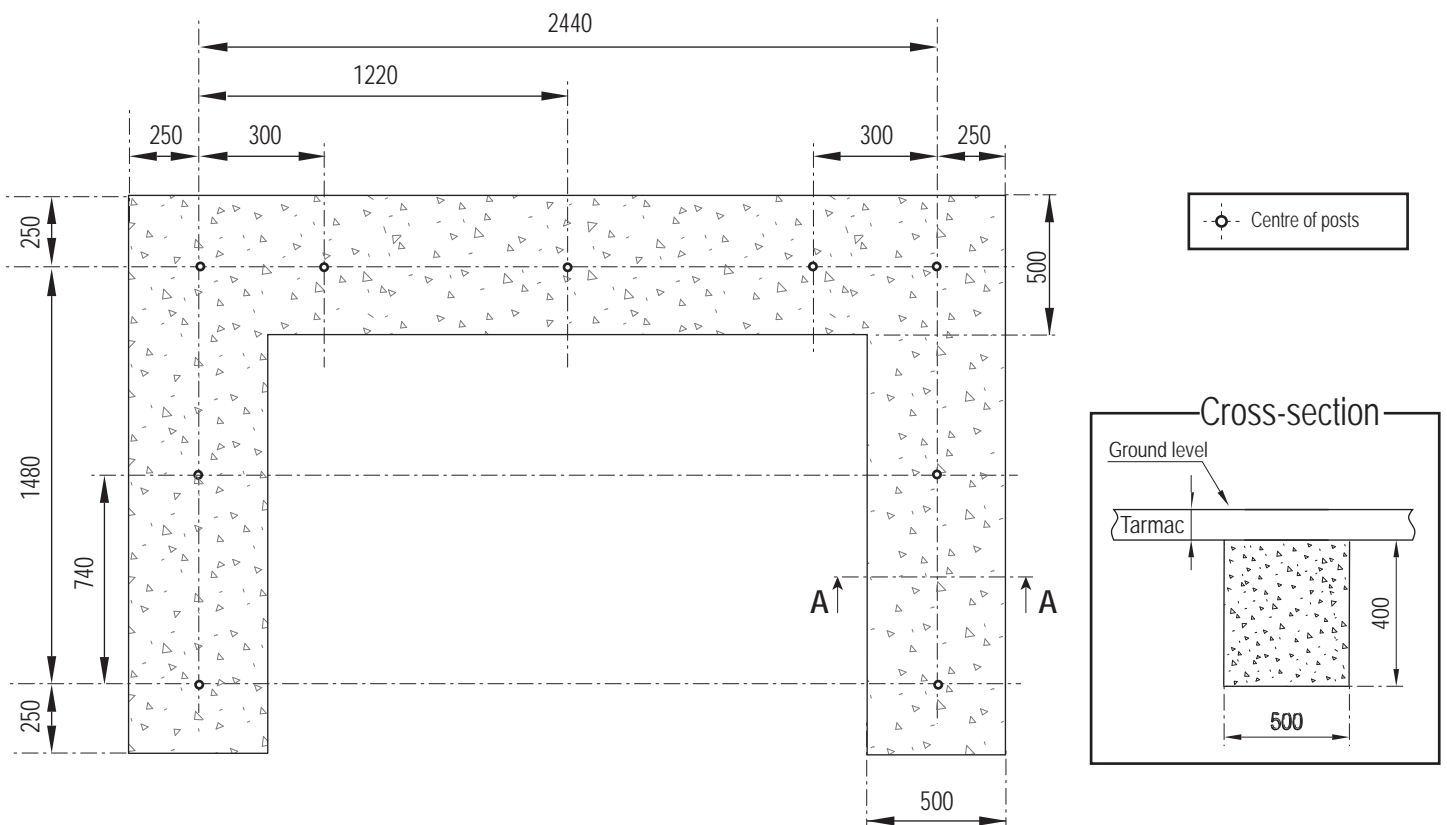
1 Groundworks

IMPORTANT : concrete pads and platforms must be level to ensure correct installation.

2 methods of installation /
groundwork are possible

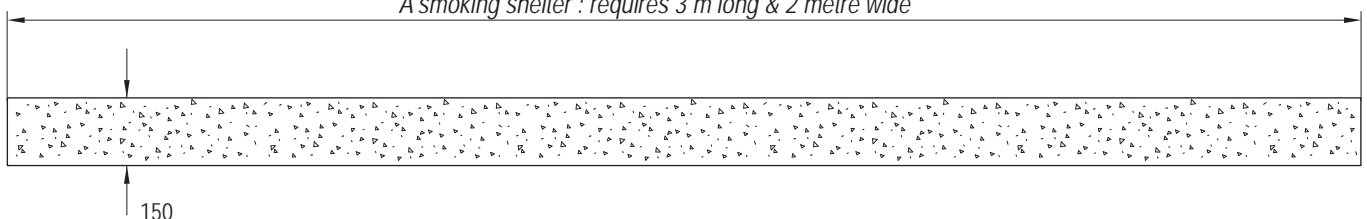
1st re-enforced concrete pads

IN MILLIMETRES



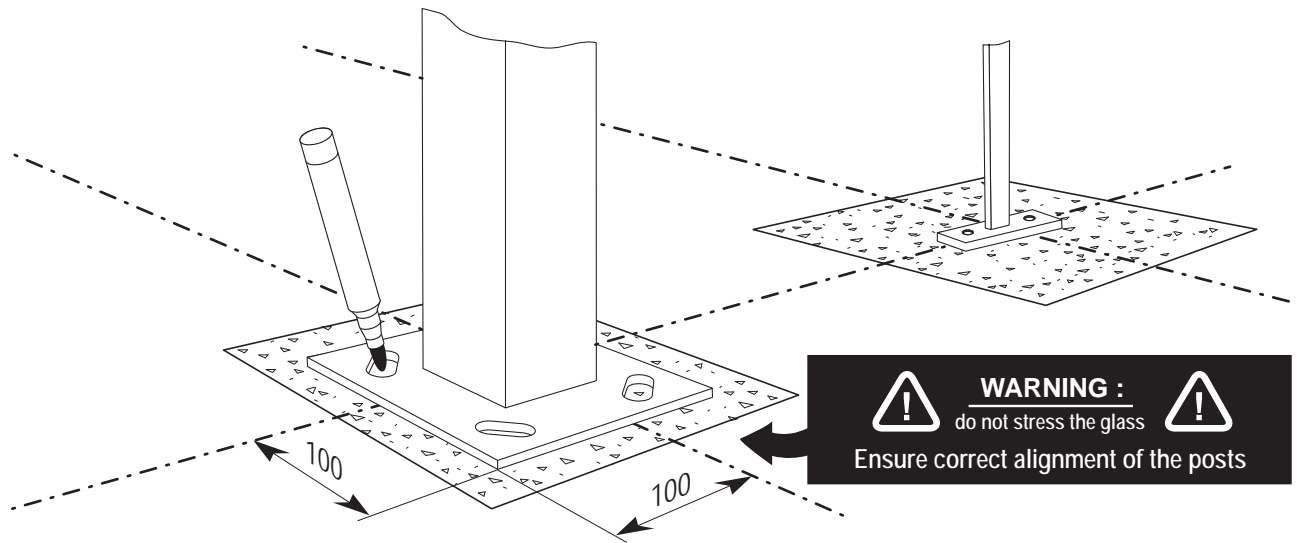
2nd re-enforced concrete platform

A smoking shelter : requires 3 m long & 2 metre wide

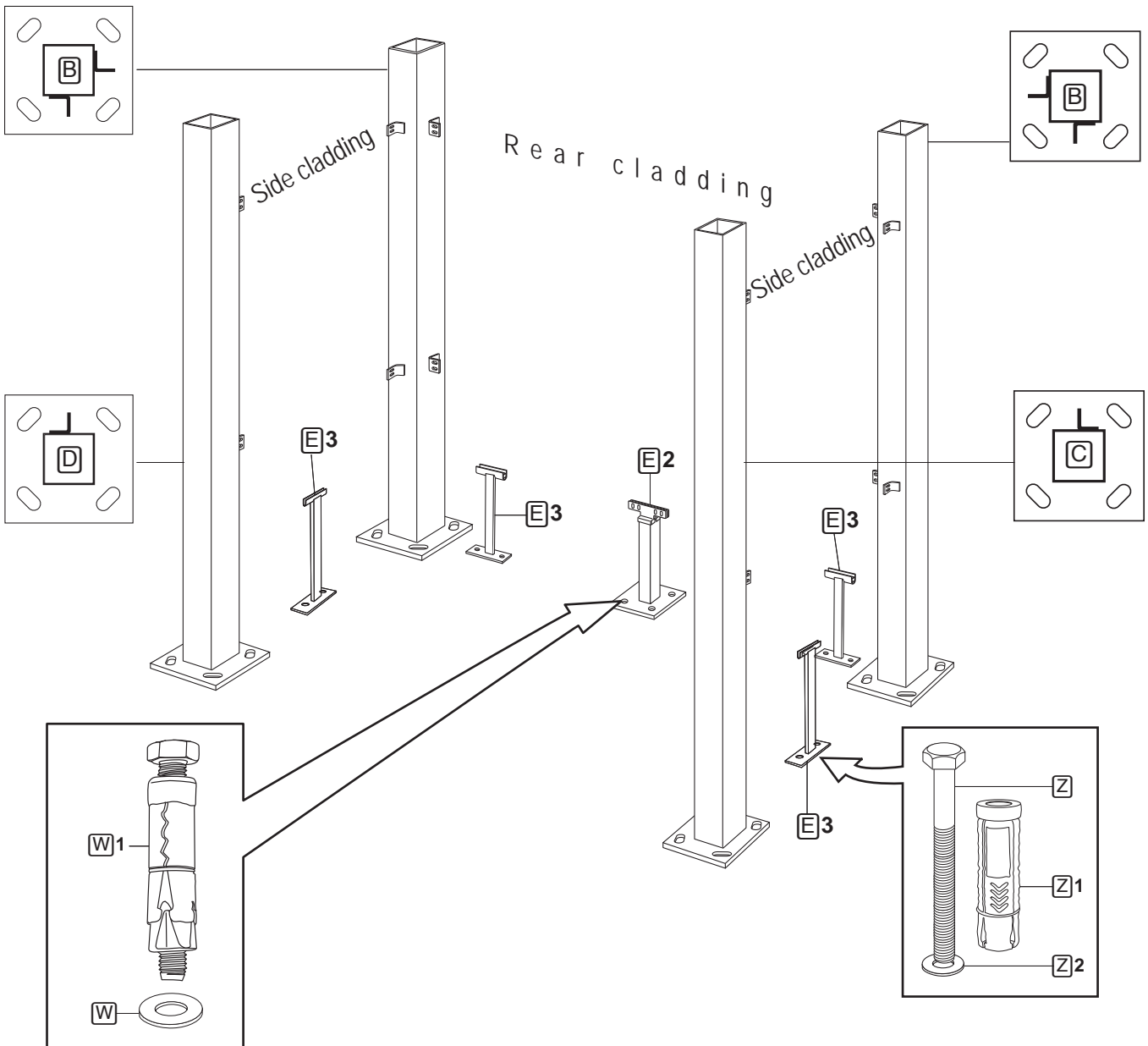


2 Sides

When fixing the posts to the ground, ensure the two sides are exactly parallel (or perpendicular), in relation to the rectangle.



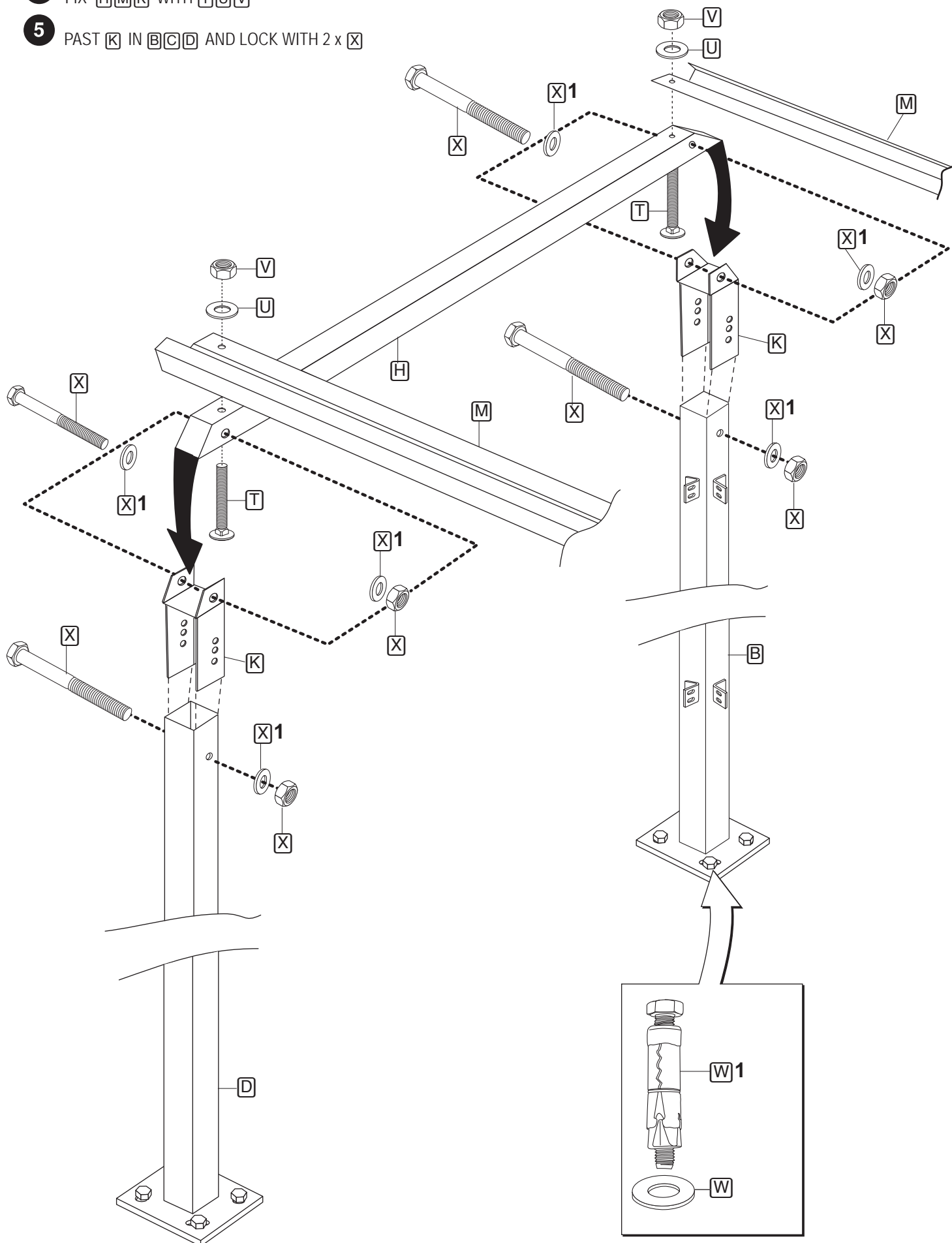
3 Positioning & fixing the posts



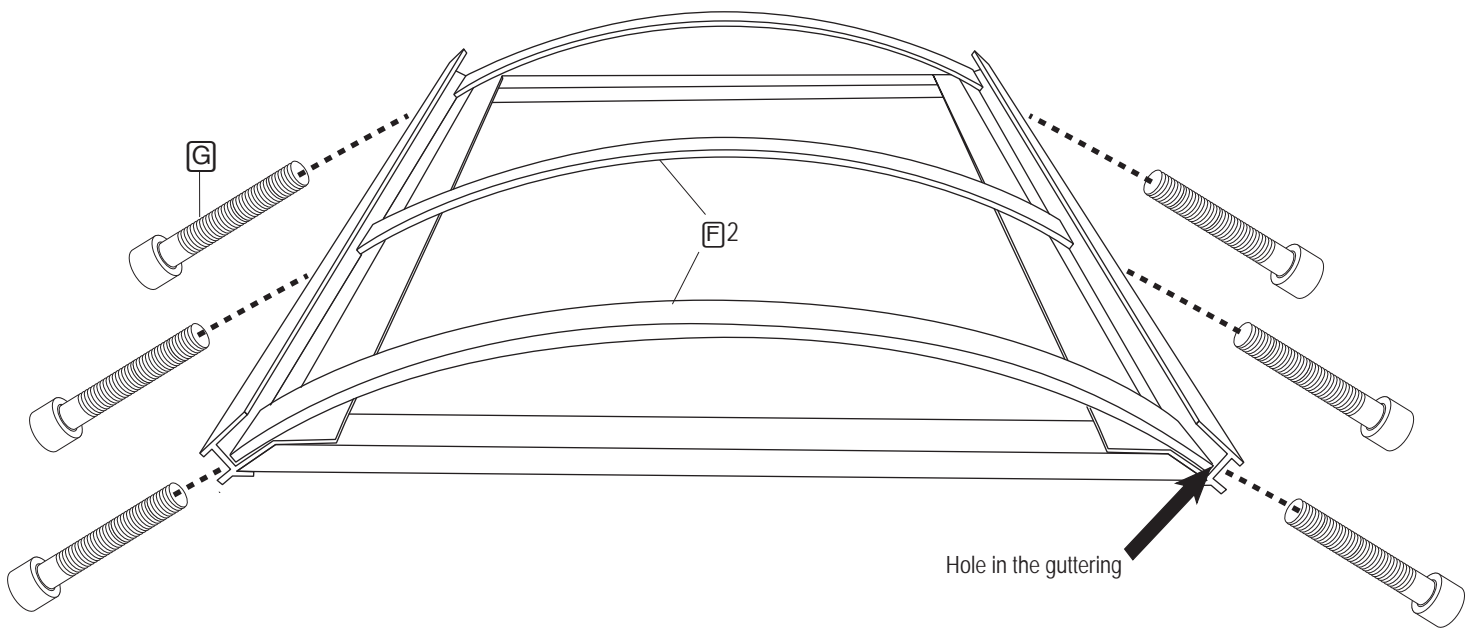
Installing the roof

4 FIX **H****M****K** WITH **T****U****V**

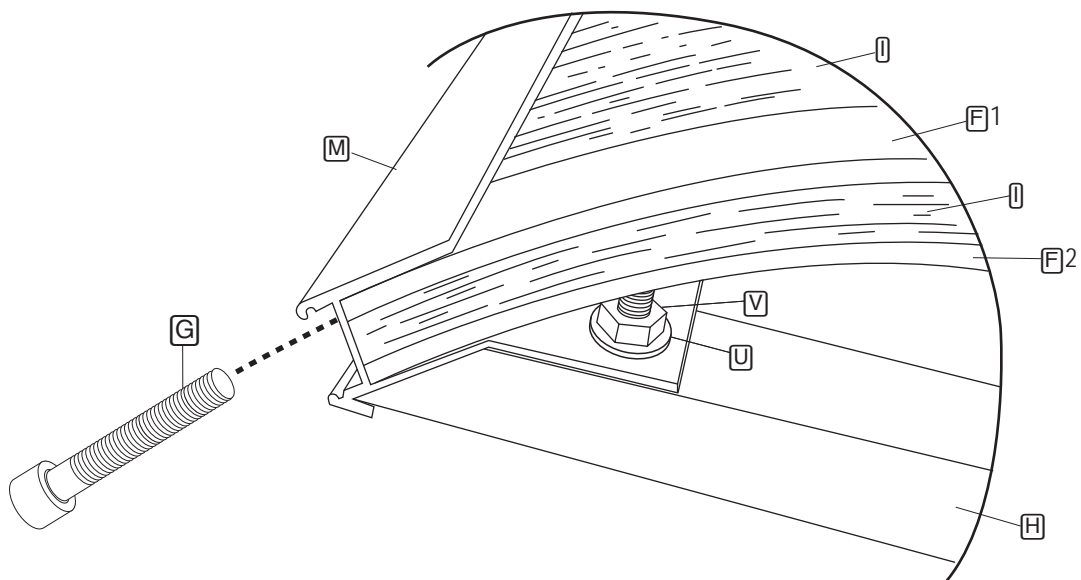
5 PAST **K** IN **B****C****D** AND LOCK WITH 2 x **X**



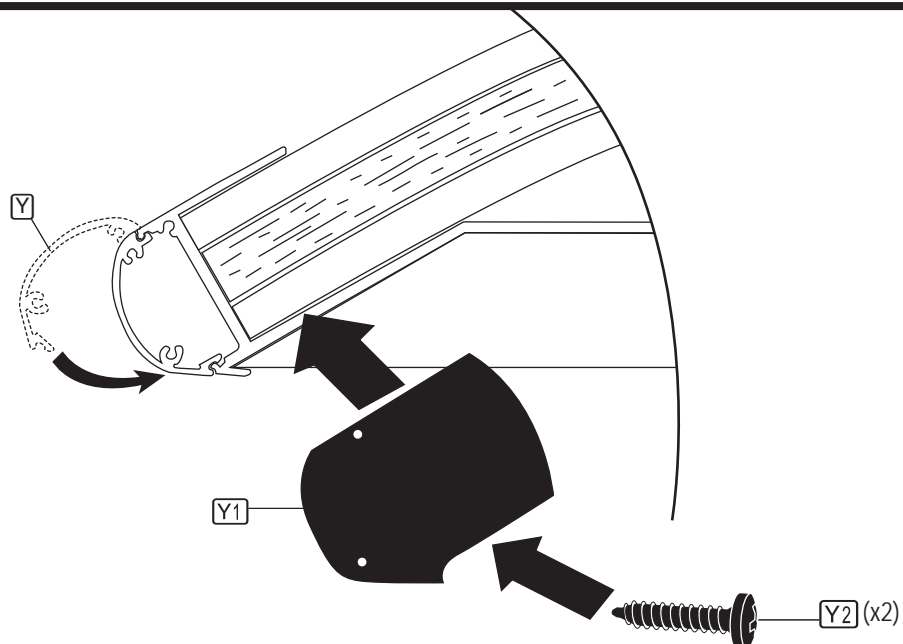
6 Installing lower roof supports



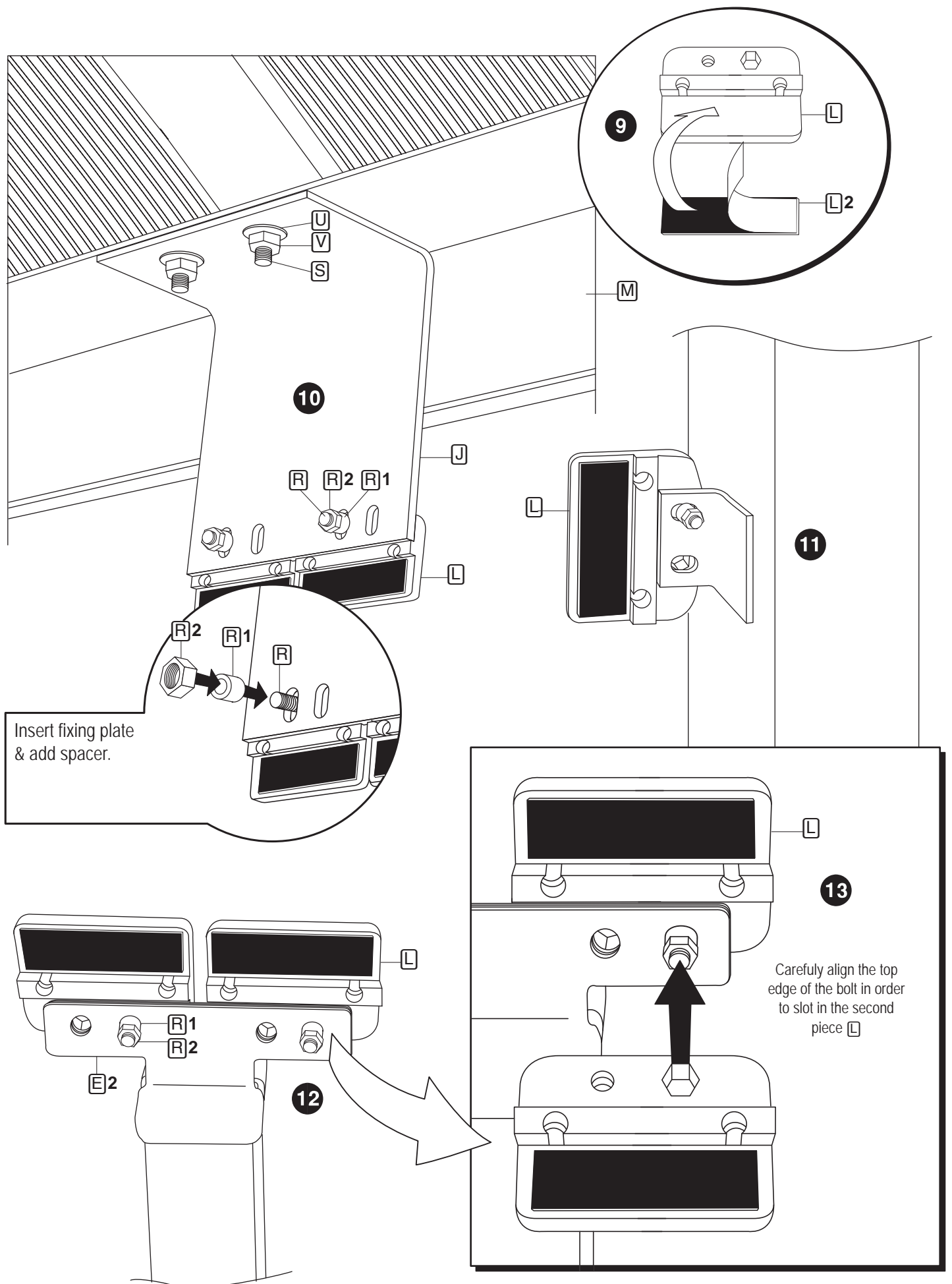
7 Installing upper roof supports



8 Guttering protection




Installation of the cladding clamps



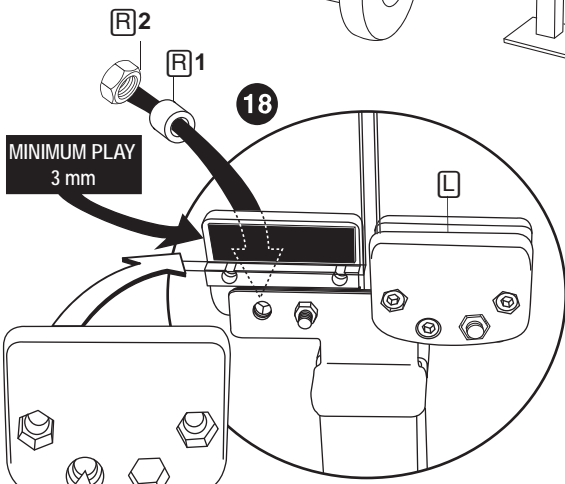
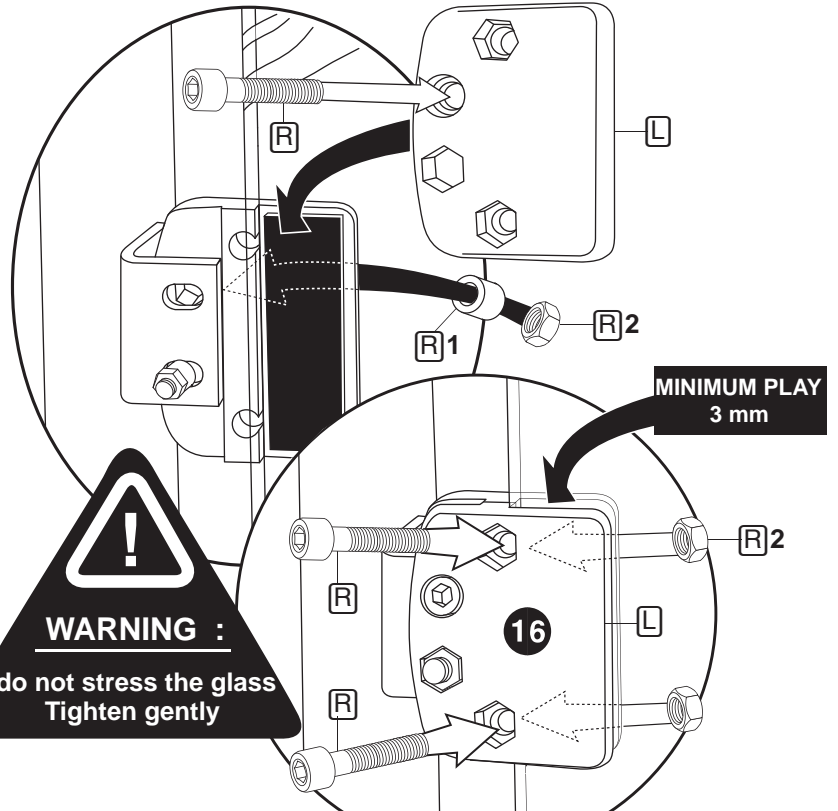
Installation the cladding

14

One person should maintain the glass while another screws on the remaining part of the cladding .

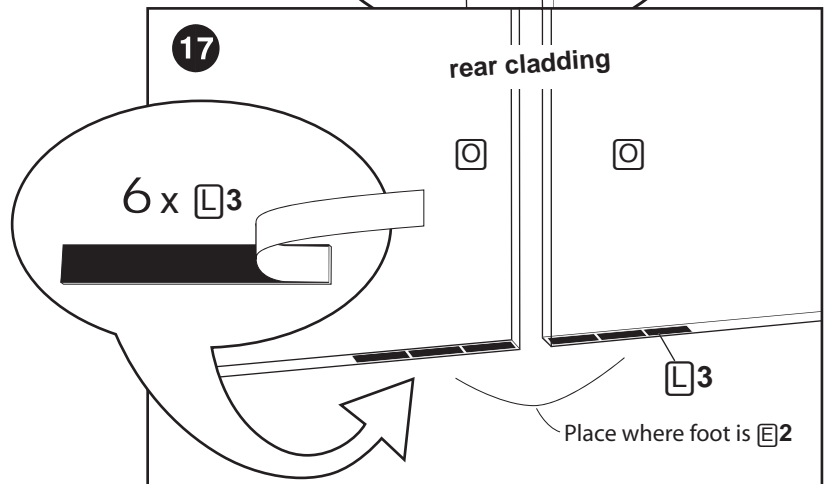
15

Side panels



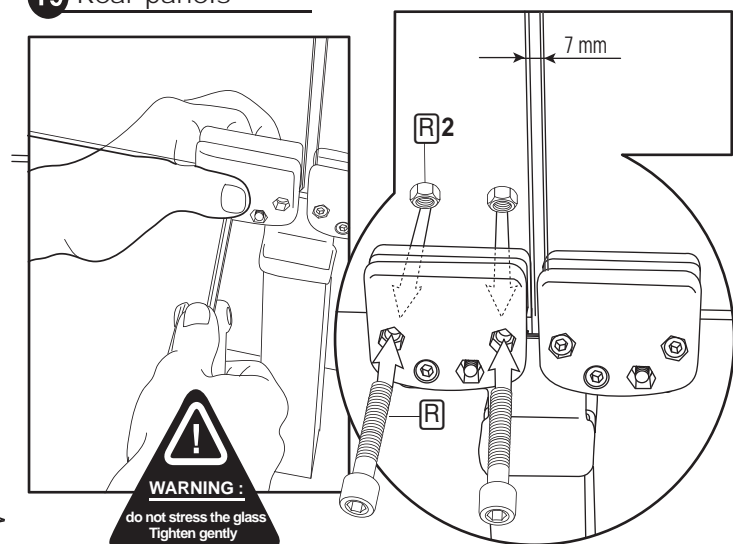
17

rear cladding



19

Rear panels



21

20

